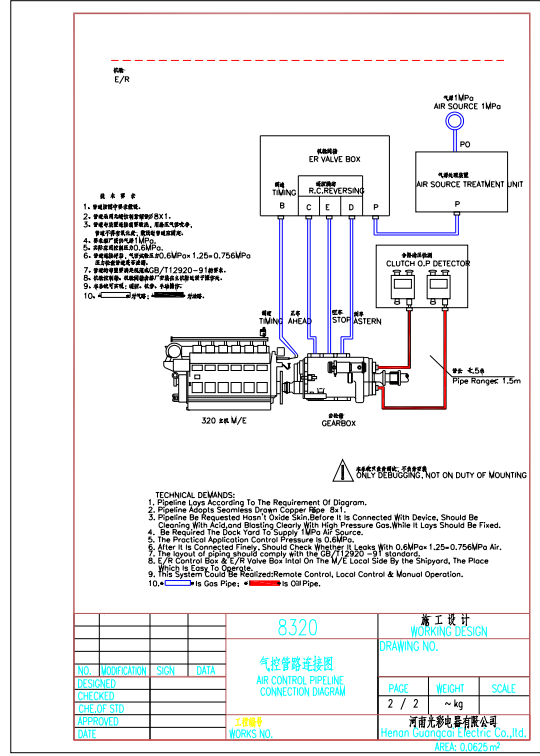


10					
9	HA1	机舱报警电铃	ER ALARM EL BELL	1	厂家供货 SUPPLIED BY D.Y.
8	GB1	机舱报警按钮	GB TERMINAL	1	厂家供货 SUPPLIED BY D.Y.
7	MB1	主机终端	ME TERMINAL STRIP	1	厂家供货 SUPPLIED BY D.Y.
6	TR	主手报接收器	ME TELEGRAPH RECEIVER	1	
5	EVB	机舱阀箱	ER VALVE BOX	1	
4	ECB	机舱控制箱	ER CONTROL BOX	1	
3	CB	机舱接线箱	ER CONNECTION BOX	1	成套供货 SUPPLIED IN SET
2	WPU	遥控电源单元	R.C. EL. POWER UNIT	1	
1	WCU	驾驶室控制单元	W/H CONTROL UNIT	1	

序号	符号和代号	名称	型号和规格	数量	备注
NO.	SYMBOL	NAME	TYPE AND STANDARD	QTY.	REMARKS
8320					
主机遥控系统图 SYSTEM DIAGRAM OF REMOTE CONTROL OF W/E					
NO.	MODIFICATION	SIGN.	DATE		
DESIGNED					
CHECKED					
CHE. OF STD.					
APPROVED					
DATE					
工号 WORKS NO.			技术设计 TECHNICAL DESIGN		
DRAWING NO.			SCALE		
PAGE			WEIGHT		
1 / 2			~ kg		
河南光影电器有限公司 Henan Guangying Electric Co., Ltd.			AREA: 0.1875 m ²		



NO.	MODIFICATION	SIGN.	DATE		
DESIGNED					
CHECKED					
CHE. OF STD.					
APPROVED					
DATE					
工号 WORKS NO.				施工设计 WORKING DESIGN	
DRAWING NO.				SCALE	
PAGE				WEIGHT	
2 / 2				~ kg	
河南光影电器有限公司 Henan Guangying Electric Co., Ltd.				AREA: 0.0625 m ²	